

# SPACE:ON



## 1. SPECIFICATIONS



ITEM	Description
Frequency	920MHz Center Frequency
RF Power output	1 Watt
Operating Temp	-20°C to 50°C
Environment	Indoor use only
Mounting	Install it in your desired location.
Power	ADAPTER DC 12V
Color	IVORY
Dimensions	97.2mm x 114mm x 217.7mm






## 2. Intended Use

1. SPACE:ON provides purpose-suited lighting to specific areas.
2. SPACE:ON is for charging a receiver equipped with an RF wireless receiving circuit.
3. SPACE:ON wireless charging can only be used compatible with devices that contain a receiving circuit for charging the receiver, regardless of whether there is a battery or not.
4. This device is for indoor use only.

## 3. User Operation

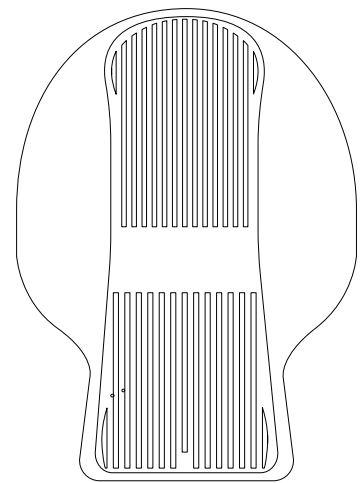
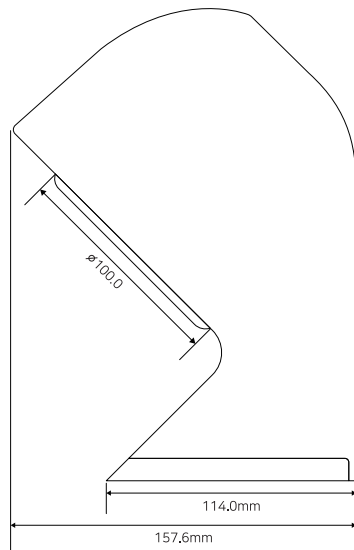
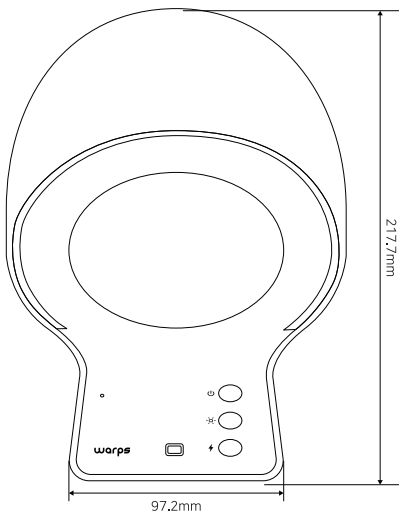
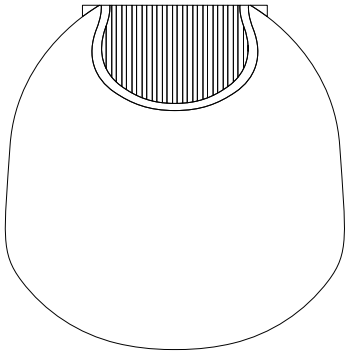
1. SPACE:ON can turn the lighting on/off with the power switch.
2. SPACE:ON can only turn on/off the RF wireless transmitter.
3. SPACE:ON can only turn the lighting on/off.

The status LED indicates the following operating conditions :

Icon	Status	Description
	Touch	Lights and RF wireless transmitter ON/OFF
	Touch	Light ON/OFF only
	Touch	RF wireless transmission power ON/OFF



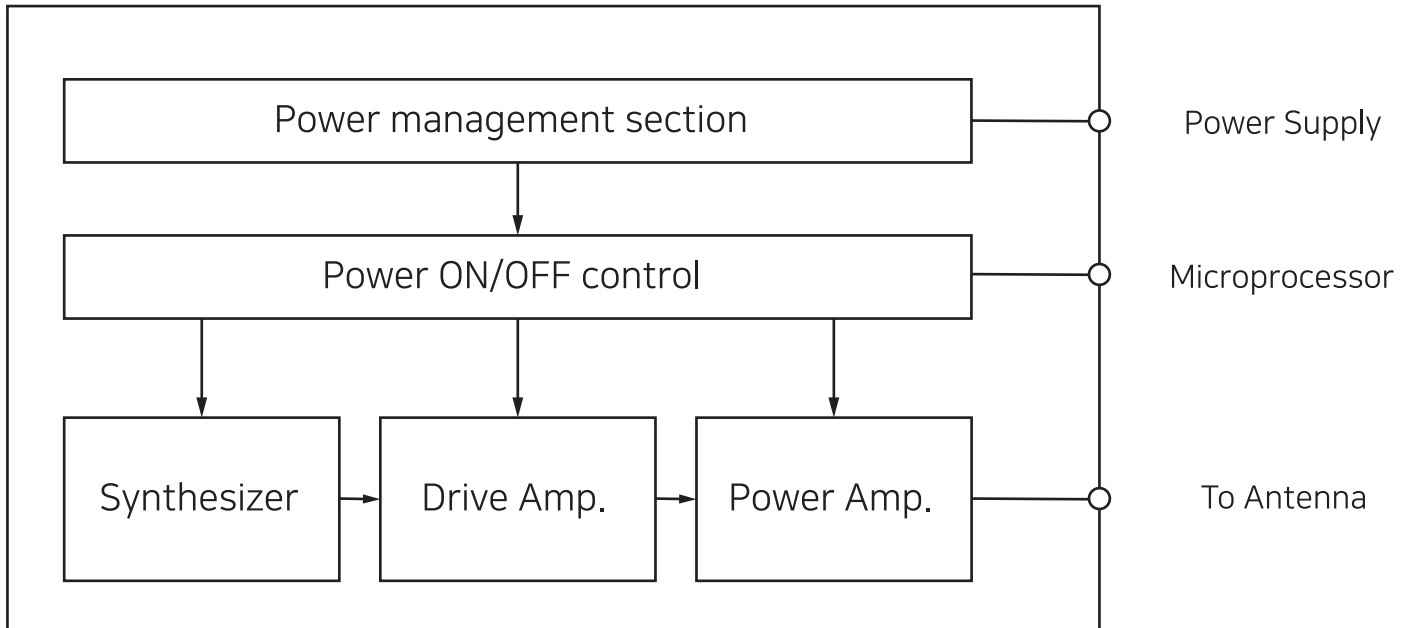
## 4. SPECIFICATIONS





## 5. Functional Description

### 1) Block Diagram



### 2) FUNCTIONAL

1. Connect the external power supply (Adapter) DC 12V to the power management unit.
2. Depending on the MODE, the power is turned ON/OFF in the power control unit.
3. The power control unit supplies power to the signal generator, driving amplifier, and signal amplifier.
4. The RF signal from the signal generator is applied to the driving amplifier.
5. The driving amplifier delivers RF Output according to the RF Input Signal.
6. The signal amplifier amplifies the RF signal sent from the driving amplifier and creates RF Output.
7. The RF output of the signal amplifier unit emits RF POWER through the transmitter antenna.