



1. SPECIFICATIONS



ITEM	Description
Frequency	920MHz Center Frequency
RF Power output	2 Watt
Operating Temp	-20°C to 50°C
Environment	Indoor use only
Mounting	Install it in your desired location.
Power	ADAPTER DC 5V/1.5A
Color	IVORY
Dimensions	190mm x 35mm x 60mm



2. Intended Use

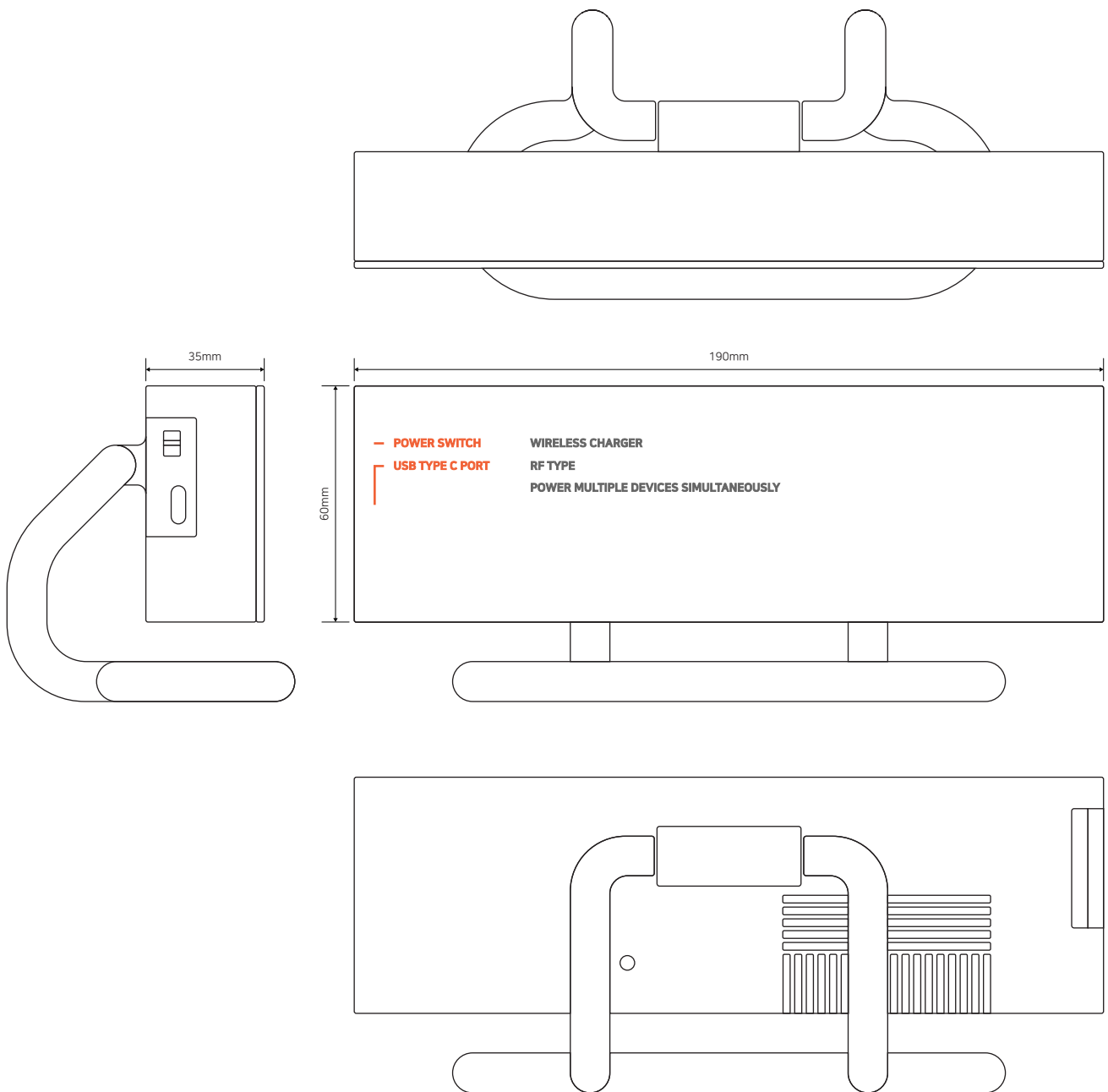
1. BAR:ON is a product that can transmit 2W of power.
2. BAR:ON is for charging a receiver equipped with an RF wireless receiving circuit.
3. BAR:ON wireless charging can only be used compatible with devices that contain a receiving circuit for charging the receiver, regardless of whether there is a battery or not.
4. This device is for indoor use only.

3. User Operation

1. BAR:ON supports DC 5V power through C-TYPE USB.
2. BAR:ON uses the power switch to turn the RF wireless transmitter power ON/OFF.



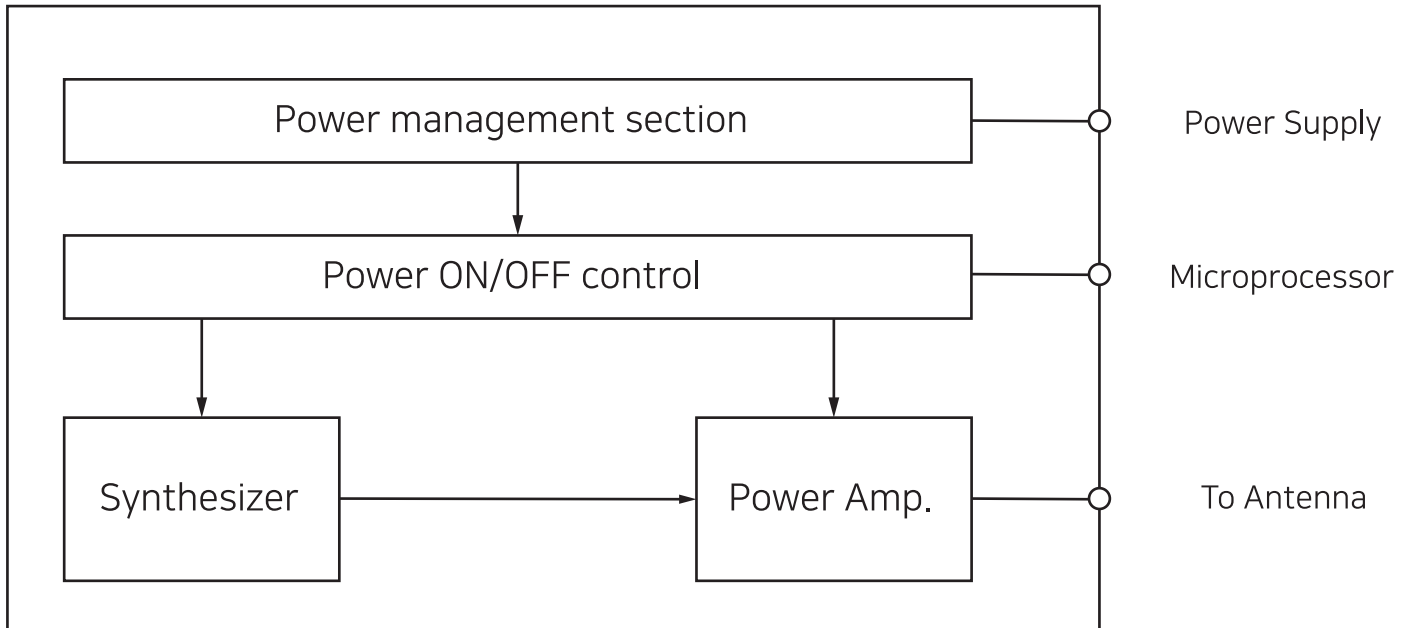
4. SPECIFICATIONS





5. Functional Description

1) Block Diagram



2) FUNCTIONAL

1. Connect an external power supply (adapter) DC 5V to the power management device.
2. Power is turned on/off through an external switch.
3. The power control unit supplies power to the signal generator and power amplifier.
4. The RF signal from the signal generator is applied to the power amplifier.
5. The signal amplifier amplifies the RF signal transmitted to the power amplifier and generates RF output.
6. The RF output of the power amplifier device emits RF POWER through the transmitter antenna.